

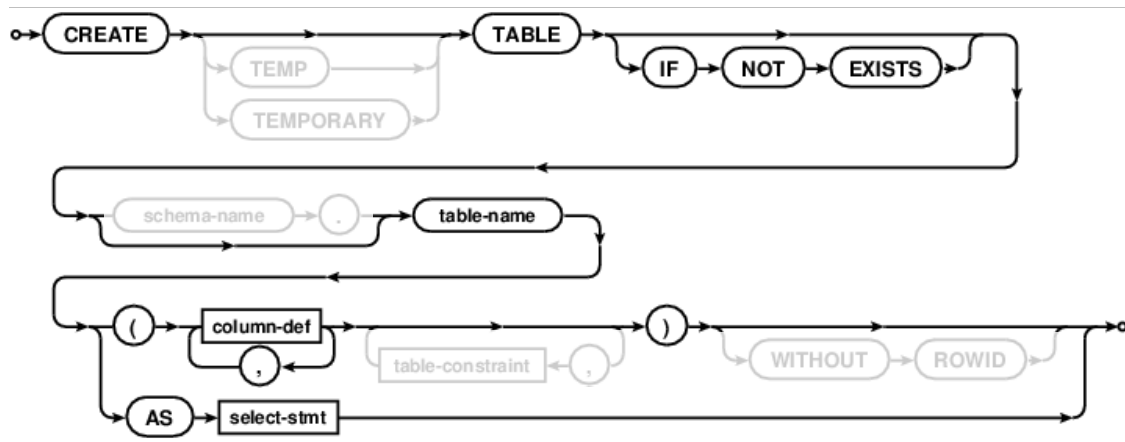
Databases

Announcements

Create Table and Drop Table

Create Table

CREATE TABLE expression syntax:



Examples:

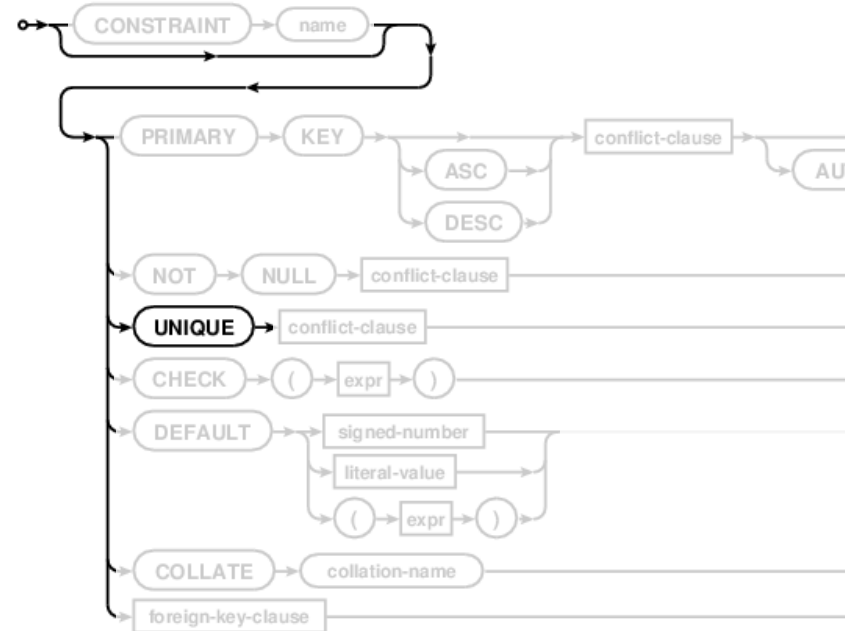
CREATE TABLE numbers (n, note);

CREATE TABLE numbers (n **UNIQUE**, note);

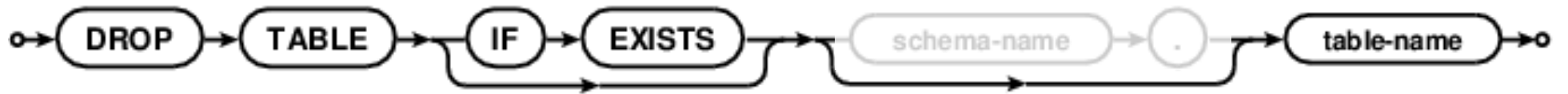
column-def:



column-constraint:

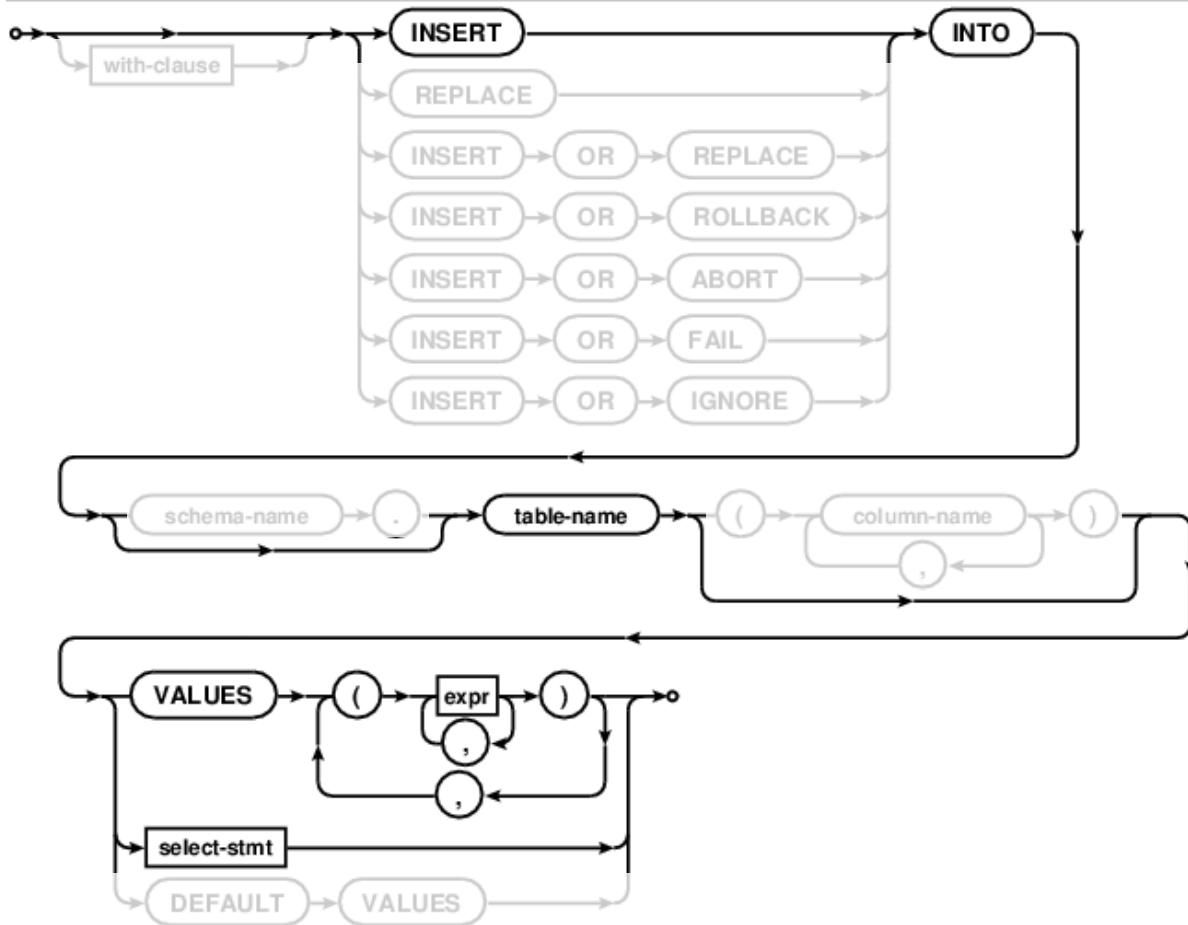


Drop Table



Modifying Tables

Insert



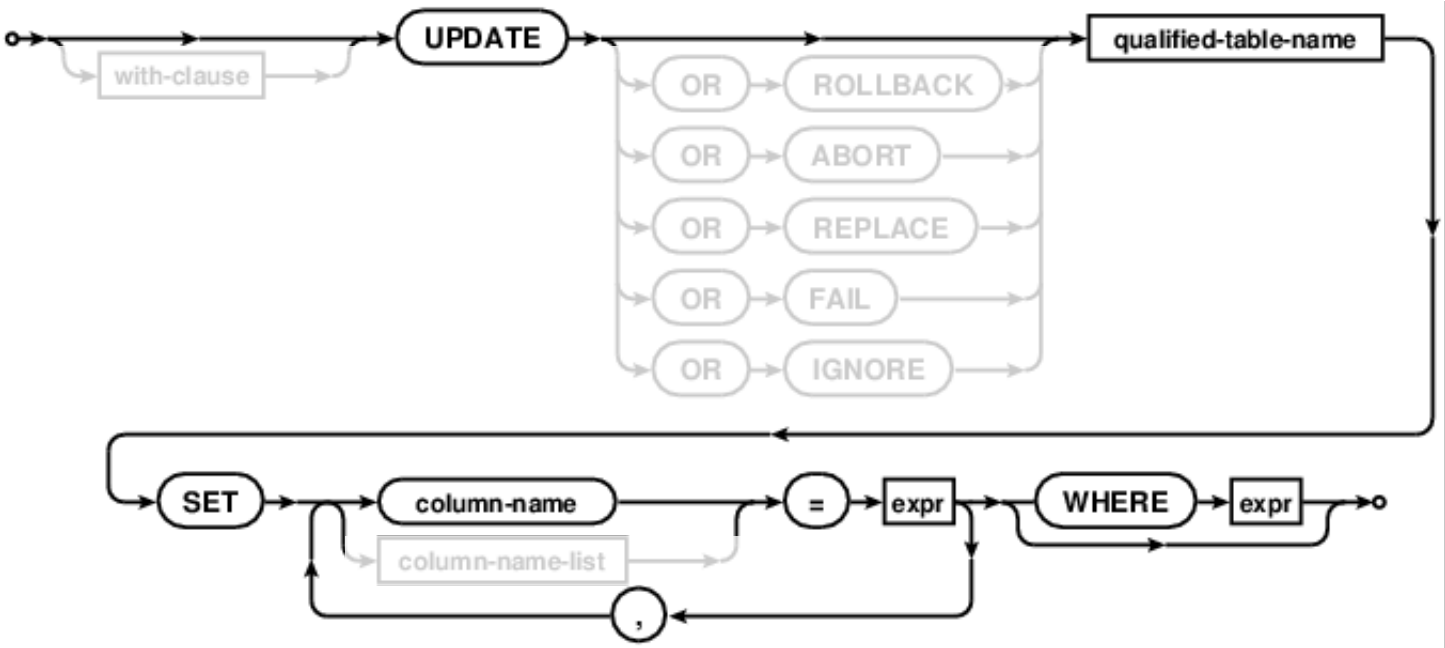
For a table t with two columns...

To insert a row:

INSERT INTO t VALUES (value0, value1);

(Demo)

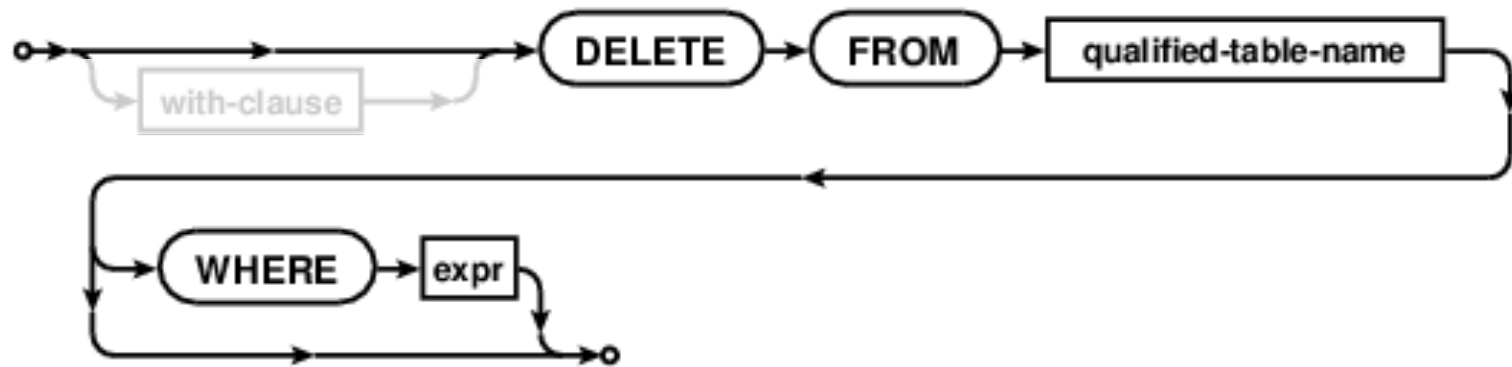
Update



Update sets all entries in certain columns to new values, just for some subset of rows.

(Demo)

Delete



Delete removes some or all rows from a table.

(Demo)

Python and SQL

Python Can Access Sqlite Databases

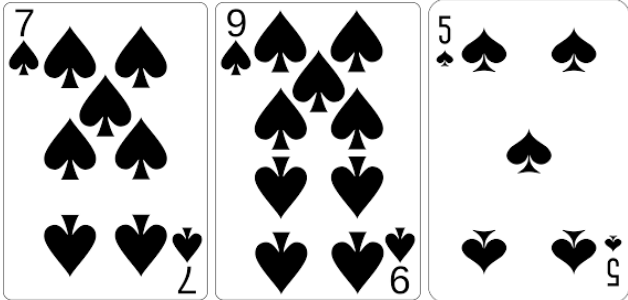
```
import sqlite3

db = sqlite3.Connection('number.db')
db.execute('CREATE TABLE nums AS SELECT 2, 3 UNION SELECT 4, 5;')
db.execute('INSERT INTO nums VALUES (?, ?), (?, ?);', range(6, 10))
print(db.execute('SELECT * FROM nums;').fetchall())
db.commit()
```

Database Connections

Casino Blackjack

Player:



(Demo)

Dealer:

